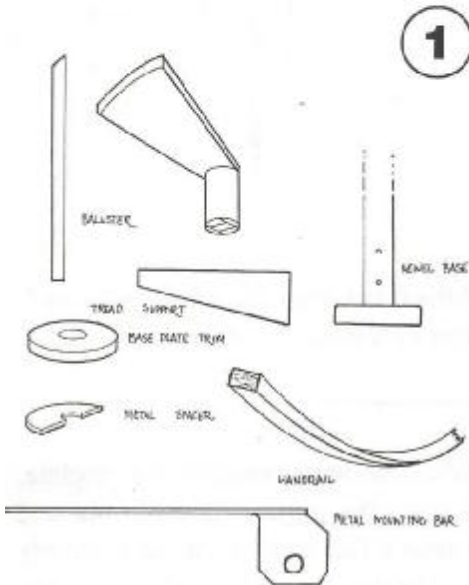


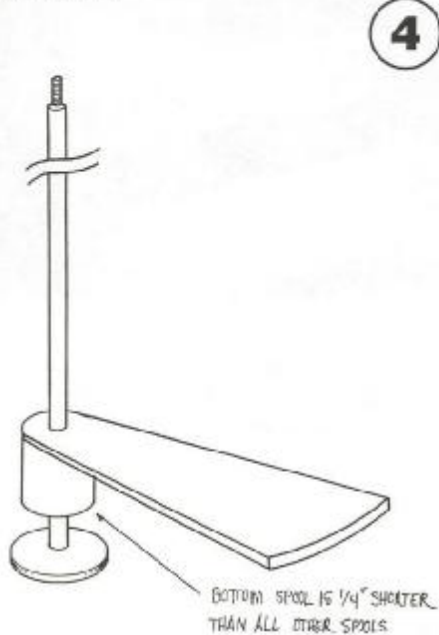
INSTRUCTIONS FOR ASSEMBLY OF YOUR SPIRAL STAIR

Please read all instructions before beginning your assembly

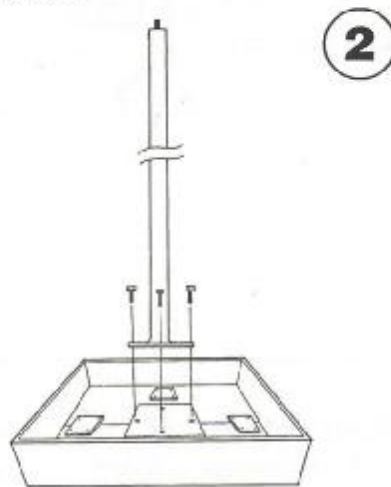
Your stair consists of a box of parts, with a steel center column and hand-rail outside of the box.



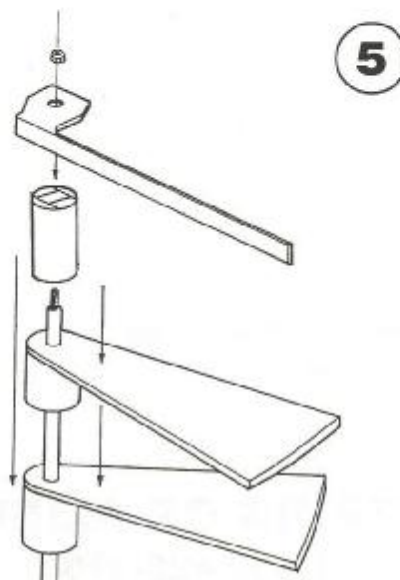
Slide all spools and treads over the center column. The tread with the spool $\frac{1}{4}$ " shorter than the rest must go on first.



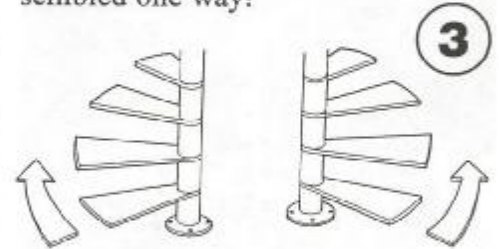
Once emptied, the steel center column can be attached to the bottom of the shipping box as a temporary assembly site.



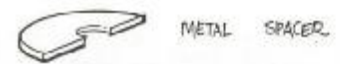
The top spool is grooved to position the steel mounting bar which goes on last before tightening snugly. Be certain to leave room between the outside edges of the treads to permit installation of $1\frac{1}{4}$ " baluster / pickets.



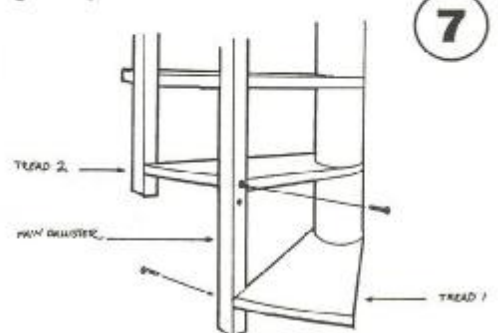
Your stair was ordered as a left or right hand up, and can *only* be assembled one way!



Metal spacers in your kit may be used between treads to adjust to the floor-to-floor elevation - confirm the measurement from the bottom of the base plate to a point $\frac{1}{4}$ " above the mounting bar elevation.



The longer main balusters are positioned between each tread starting between tread one and two at the bottom and working toward the top. (Note: Each baluster is pre-drilled to allow extension below the tread to permit later installation of tread supports.)



Attach balusters $\frac{1}{4}$ " in board from the tread edge. Treads must be drilled

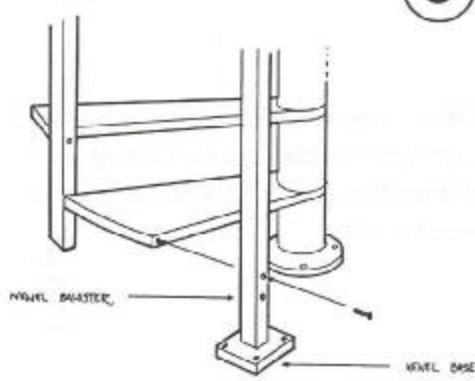
After the main balusters are installed, it's time to position the handrail. You'll need an extra set of hands, some clamps and don't forget to leave an equal amount of rail extending past the upper and lower treads.

8



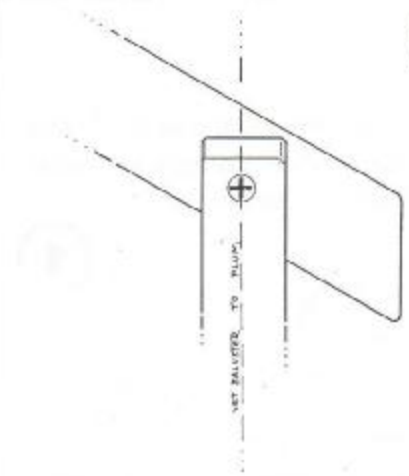
Before attaching the handrail, screw attach the lower newel baluster and newel base.

9



Set each baluster to plum as you attach the handrail. Be careful to monitor rail elevation as you proceed.

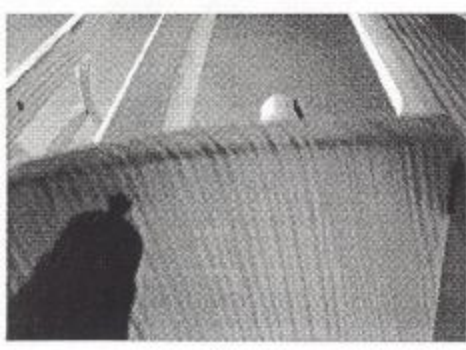
10



Attach handrail from a baluster midway up the stair, working up and down.

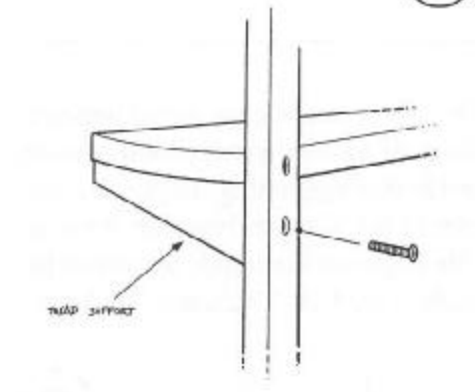
Now attach the shorter mid-tread baluster from under the tread and at the handrail.

11



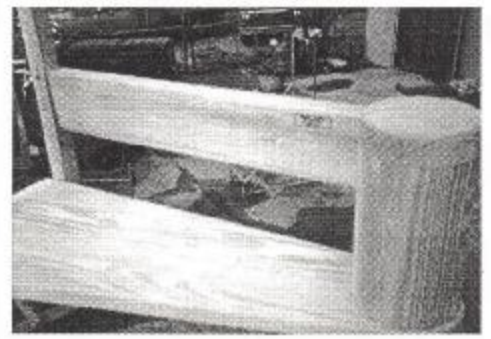
Tread supports are easily installed with a 90 degree screw driver, but can be done by hand.

12



When the stair assembly is complete, tighten the upper assembly nut and remove the stair from its assembly site to the installation location. The top cap, mounting bar cover and base plate trim are installed at the final location.

13



Some installers prefer to loosen and glue all seams once assembled fit is assured.

SPIRAL STAIRS OF AMERICA, INC.
1-800-422-3700